

NORDTRACK / ROXOR INSTALLATION





NORDTRACK / ROXOR INSTALLATION

TRACKS KIT PARTS LIST :

- 2X Front 121" tracks set at position "0"
- 2X Rear 121" tracks set at position "+1"
- Front anti-rotation brakets
- Rear anti-rotation brakets
- 4x wheel spacers
- 8x lengths of chain with adjusters
- Nordtrack wrench tool
- Exhaust relocation braket



1. Remove Front Dust Cap



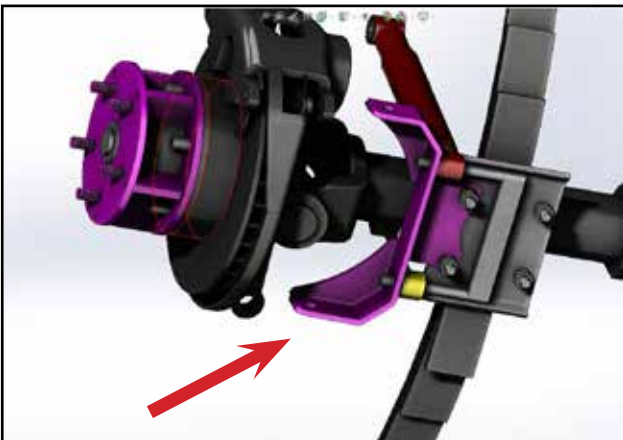
2. Install Spacer on each Wheel



3. Unbolt the rear outside leaf spring u-bolt. Add the rear anti-rotation braket and fasten it with the supplied nuts and washers.



4. Unbolt the front outside leaf spring u-bolt, shock bolt and sway bar link-kit Bolt the anti-rotation brakets 1x right , 1x left , longest part towards the front.



5. Unbolt the last exhaust support braket



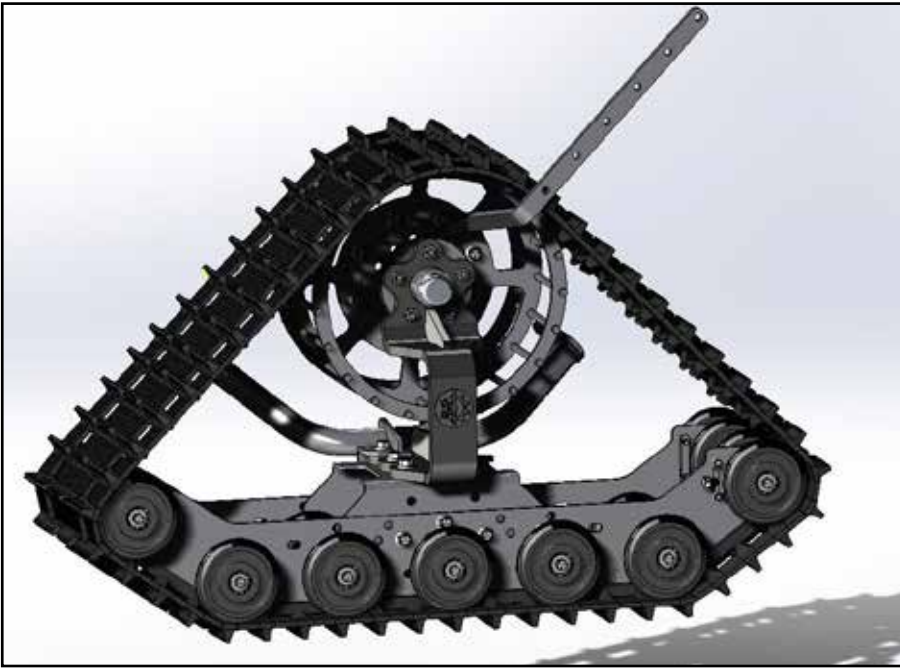
6. Cut the rear section of the exaust in the middle of the 2 bends.



7. Install the new section with the supplied braket.



8. Install the track and tighten with the supplied Nordtrack wrench.



9. Adjust the length of chains then fix the shackles and make sure there is no track rub when track moves.

